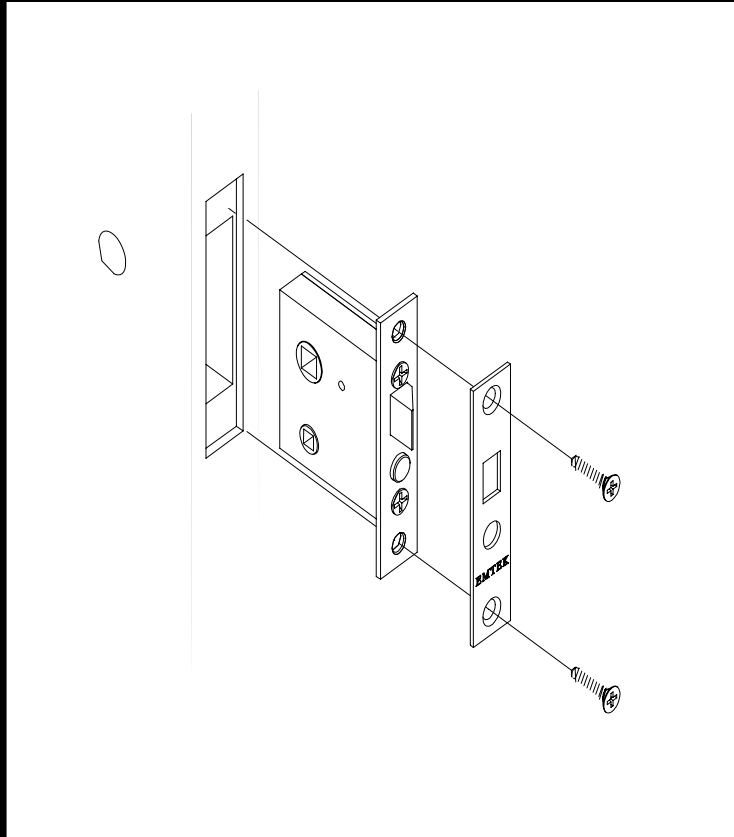
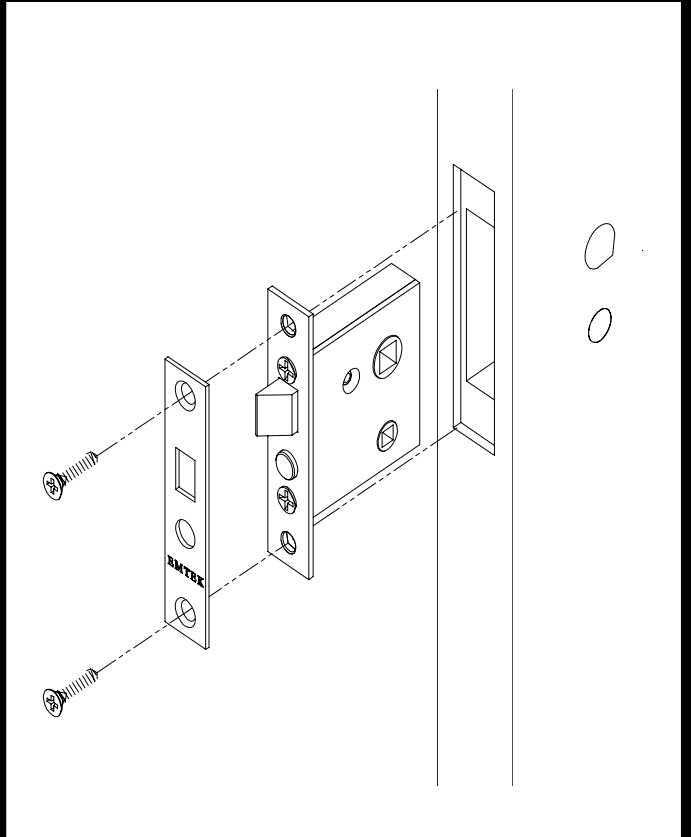


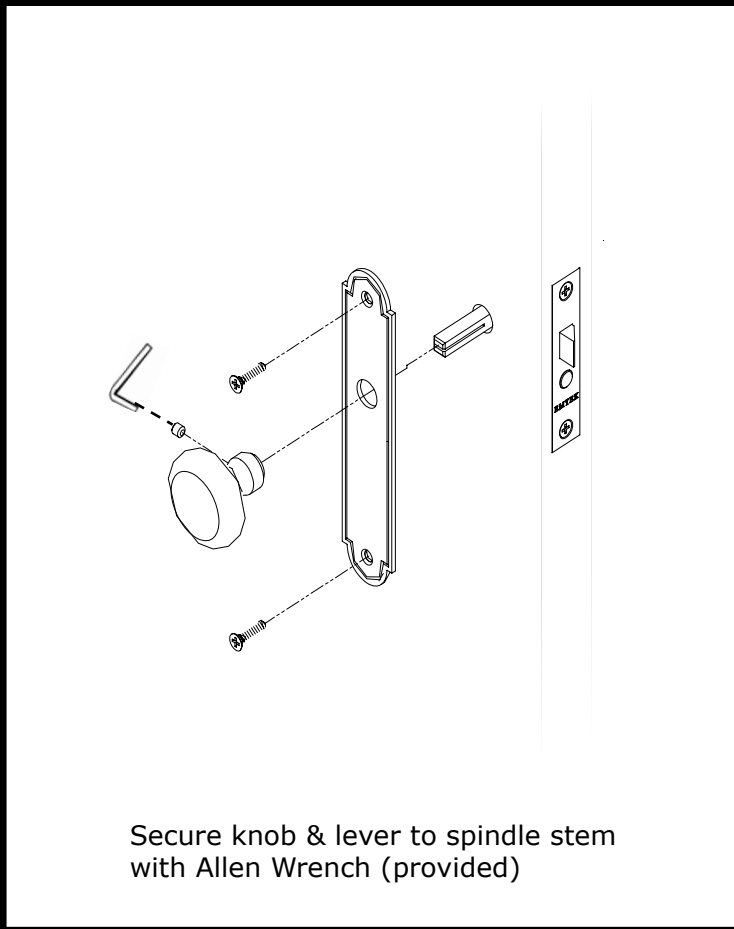
Outside



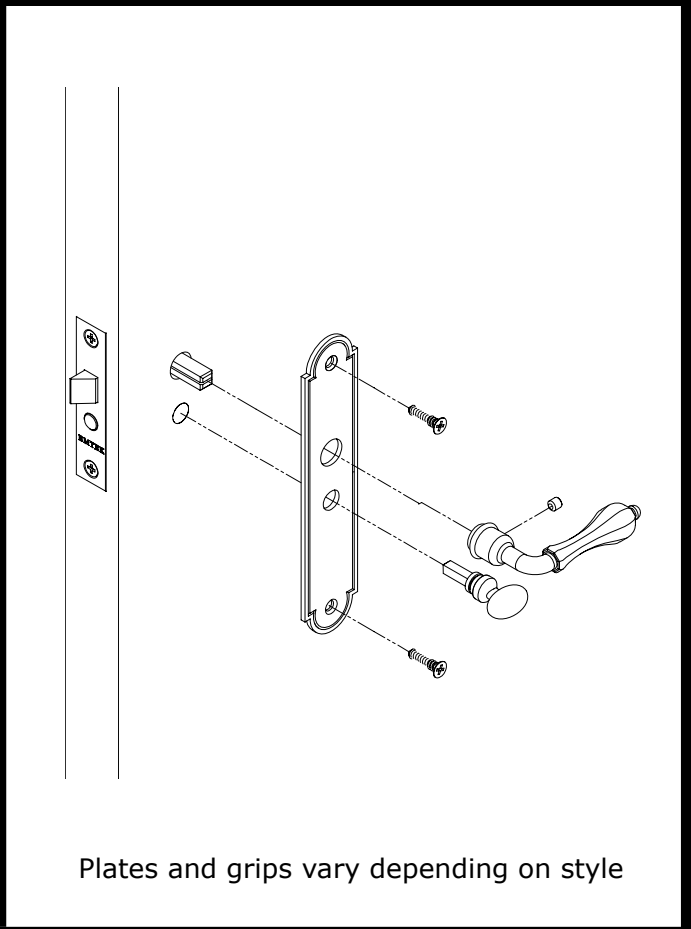
Inside



Outside Trim



Inside Trim



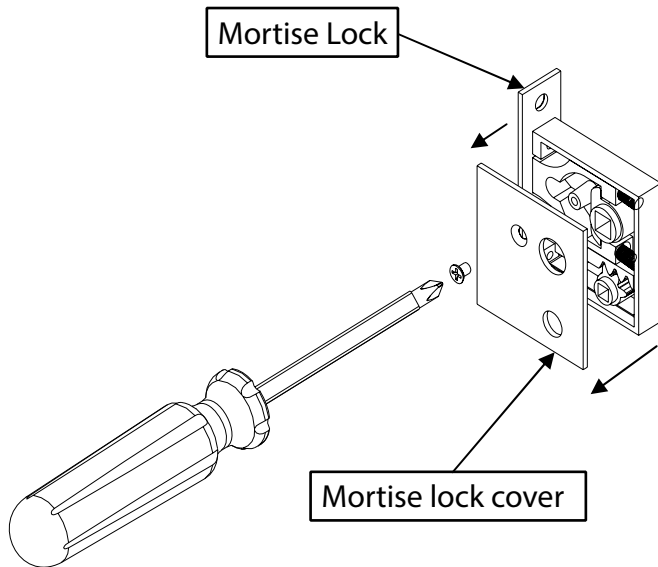
Installation Guide - Screen Door Mortise Lock

How to change latch configuration for left handed door

EMTEK®

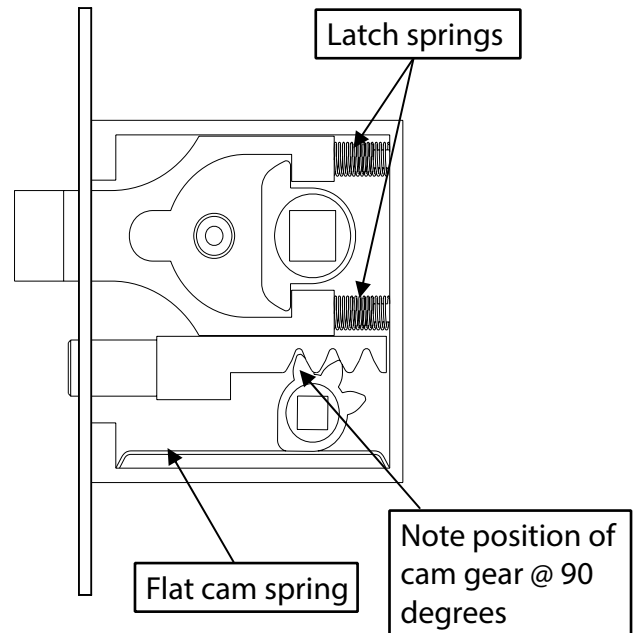
Step 1

Remove Mortise lock cover with Phillips screwdriver



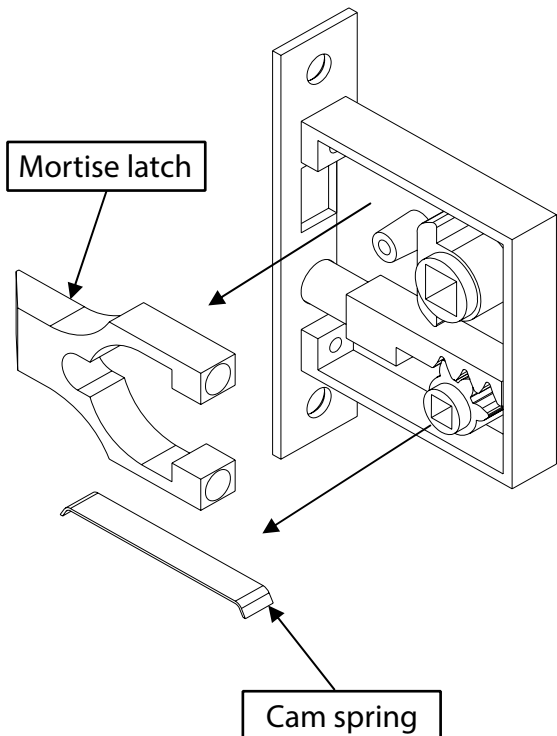
Step 2

Depress and remove latch springs & cam spring using needle nose pliers.



Step 3

With all the springs removed, lift latch from mortise box



Step 4

Rotate latch as shown & reverse steps 1-3 to reassemble

