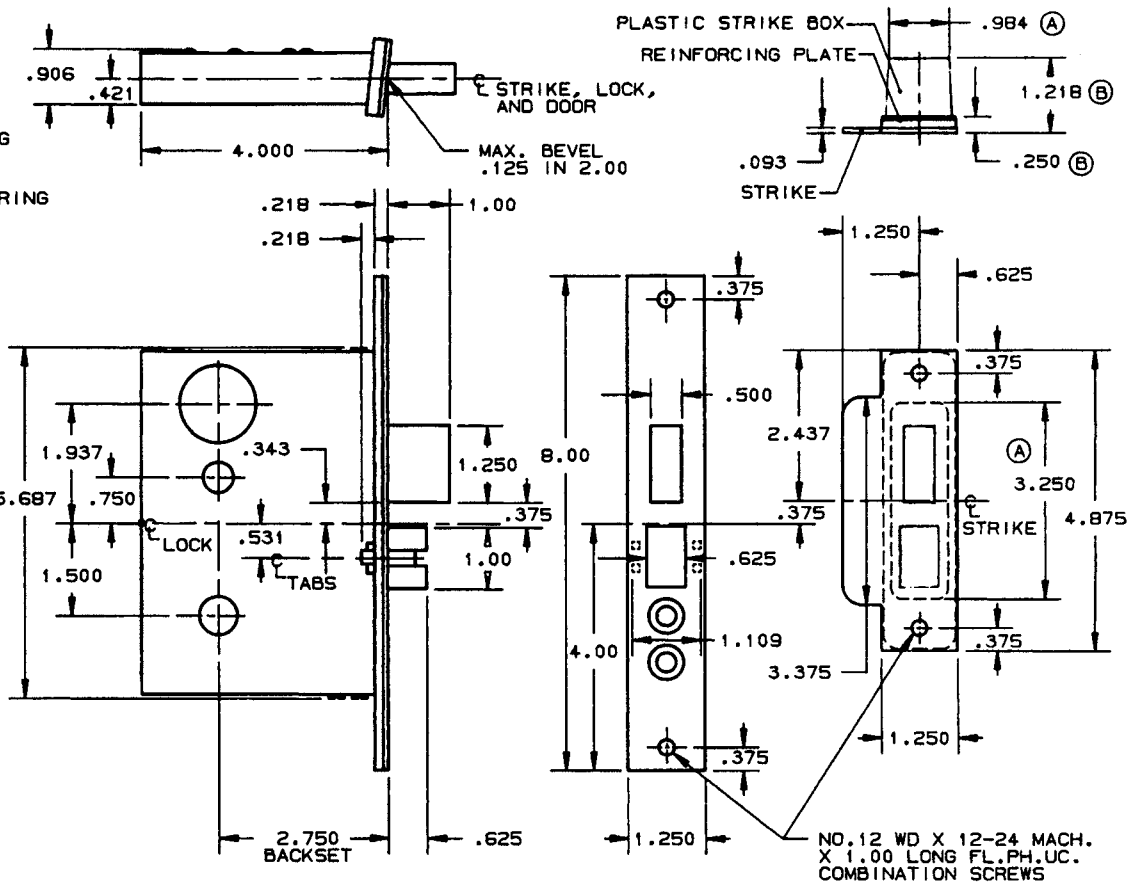
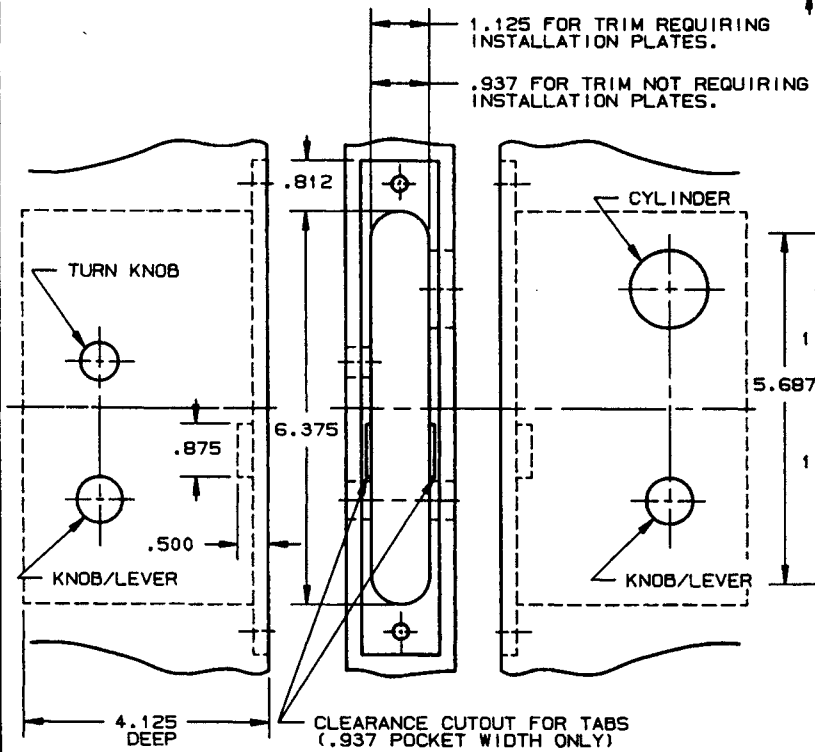


# LOCK DETAIL

## DOOR DETAIL



EFFECTIVE: 1-31-91

INSIDE

OUTSIDE

- NOTE:  
 1.) SEE SPECIFIC TRIM TEMPLATE FOR ADDITIONAL DOOR CUTOUT DETAILS.  
 2.) DISCARD REINFORCING PLATE WHEN INSTALLING ON METAL DOORS & JAMBS.

SUITABLE REINFORCEMENT BY OTHERS MAY BE REQUIRED FOR METAL AND COMPOSITE CORE DOOR INSTALLATION.

DO NOT SCALE DRAWING

<b>BALDWIN</b>	
<b>6075 AND 6075-LS LOCK</b>	
TEMPLATE NO. VARIATIONS	TEMPLATE NO.
	<b>H065-B</b>